

Dual HF

DALI-2 APC - in-ceiling installation
 EAN 4007841 079499
 Article number 079499



high frequency sensor 360°



max. 20 x 3 m



IP20



ideal 2,5 - 3,5 m



indoor sensor



iQ-mode



Teach mode



energy saving



5 years
 manufacturer's warranty steinel-professional.de/
 garantie



CE

Function description

Twice as vigilant. High-frequency corridor sensor Presence Control PRO DUAL HF DALI-2 Application Controller for indoors, ideal for passageways and long corridors, installation height up to 3.5 m, with digital DALI-2 Application Controller interface for controlling 2 lighting channels, DUAL-HF technology for radial detection of 20 m in two directions, detection regardless of temperature, HF-sensor technology also detects movement through glass, wood and stud walls, switches light 'ON' almost instantly.

Technical specifications

Dimensions (L x W x H)	112 x 120 x 120 mm
Manufacturer's Warranty	5 years
Settings via	Remote control, DIP switches, Potentiometers, Smart Remote
With remote control	No
Version	DALI-2 APC - in-ceiling installation
PU1, EAN	4007841079499
Type	Presence detector
Application, place	Indoors
Application, room	corridor / aisle, Indoors
Colour	white
Colour, RAL	9010
Includes corner wall mount	No
Installation site	ceiling
Installation	In-ceiling installation, Ceiling
IP-rating	IP20

HF-system	5,8 GHz
Detection	also through glass, wood and stud walls
Detection angle	Aisle, 360 °
Angle of aperture	140 °
Sneak-by guard	Yes
Capability of masking out individual segments	No
Electronic scalability	Yes
Mechanical scalability	No
Reach, radial	20 x 3 m (60 m ²)
Reach, tangential	20 x 3 m (60 m ²)
Transmitter power	< 1 mW
Functions	Normal / test mode, Semi-/fully automatic, Pushbutton / switch mode, Manual ON / ON-OFF, Constant-lighting control ON-OFF
Twilight setting	10 – 1000 lx

Dual HF

DALI-2 APC - in-ceiling installation
EAN 4007841 079499
Article number 079499



Technical specifications

Ambient temperature	from -25 up to 55 °C	Time setting	30 s – 30 Min.
Material	Plastic	Basic light level function	Yes
Mains power supply	230 V / 50 – 60 Hz	Basic light level function time	1-60 min, all night
Steuerausgang, Dali	Broadcast 2x12 electronic ballasts	Main light adjustable	50 - 100 %
With bus coupling	Yes	Twilight setting TEACH	Yes
Technology, sensors	High frequency, Light sensor	Constant-lighting control	Yes
Mounting height	2,50 – 3,50 m	Interconnection	Yes
Mounting height max.	3,50 m	Type of interconnection	Master/slave
Optimum mounting height	2,8 m	Interconnection via	Cable
		Product category	Presence detector

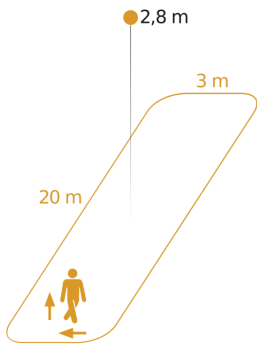
Accessories

EAN 4007841 592806	User remote control RC5
EAN 4007841 003036	Control PRO guard cage
EAN 4007841 009151	Remote control Smart Remote
EAN 4007841 559410	Service remote control RC8

Dual HF

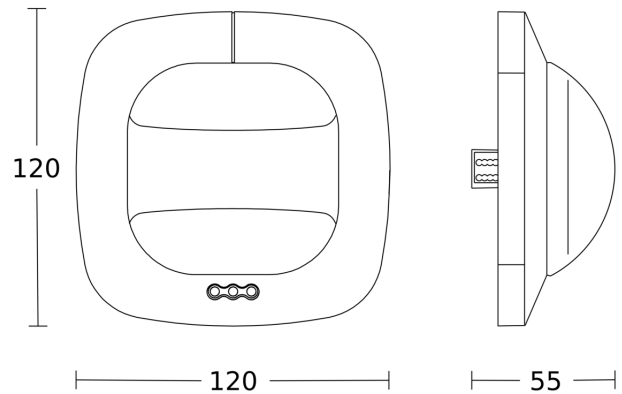
DALI-2 APC - in-ceiling installation
 EAN 4007841 079499
 Article number 079499

Detection Zone

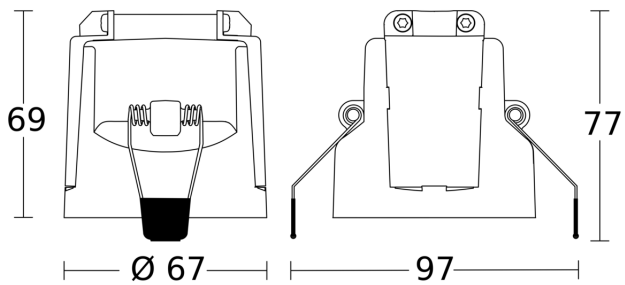


Possible mounting height: 2,50 m - 3,50 m
 Orange: radial and tangential

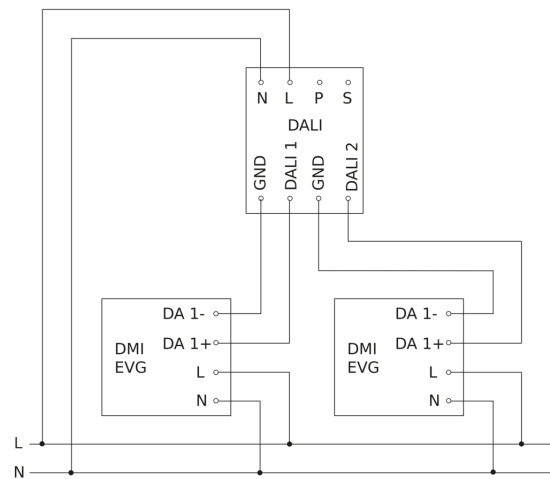
Dimension Drawing 1



Dimension Drawing 2



Master circuit diagram



Dual HF

DALI-2 APC - in-ceiling installation
EAN 4007841 079499
Article number 079499

Master/slave interconnection circuit diagram

